



GOLDSCHMIDT

Smart Rail Solutions



PROFILE GRINDER GP 1800 E

LIGHT AND FLEXIBLE

Achieve exceptional results after welding with profile-accurate precision machining of the rail head. The GP 1800 E profile grinder can be used for all rail profiles and is particularly ideal for work in tunnels where the use of combustion engines is not permitted. Its light weight makes it particularly useful when machining crane rails at height.

TECHNICAL DATA

SPECIFICATIONS

Dimensions (L x W x H)	815 x 530 x 500 mm
Weight	21 kg (including special track rollers and angle grinder)
Sound pressure level	94 dBA

ANGLE GRINDER

Manufacturer	Metabo WE 24-180 MVT
Connected rating	230 V, 50 Hz, 11.6 A
Speed	n = 8 500 rpm
Power	Consumption 2.4 kW / output 1.6 kW

GRINDER

Version	Tapered cup washer (DSA approved)
Dimensions	110/90 mm x 55 mm x 22.2 mm
Permissible circumferential speed	v = 50 m/s

BENEFITS

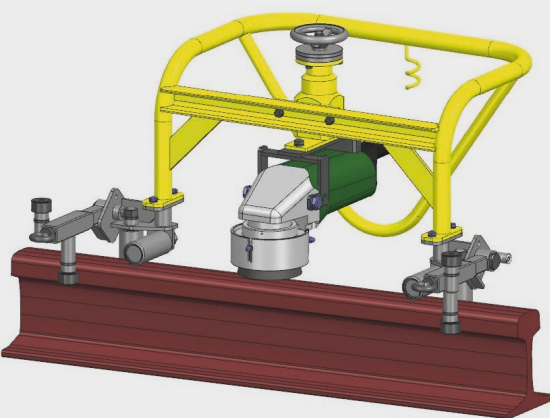
- Light weight and compact dimensions make it particularly useful when machining crane rails at height
- Grinding machine ideal for use for hot grinding by welding teams due to its light weight
- Excellent for working in tunnels and enclosed spaces, due to electric motor drive
- Stability when machining rail joints as the grinder runs on special track rollers
- Suitable for precision machining of all rail profiles using different sets of rollers
- Guard fixture protects against sparking for improved safety

CONTENTS

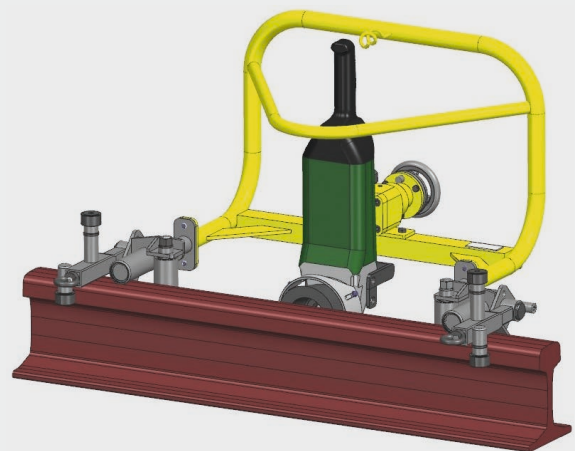
- Grinder (frame)
- Angle grinder
- Guard

ACCESSORIES

- Sets of rollers for flange rails
- Sets of rollers for crane rails A100 - A150
- Sets of rollers for exposed deep-groove rails
- Sets of rollers for embedded deep-groove rails
- Sets of rollers for flat-groove rails
- Other connections options on request



Grinding the running surface



Grinding the running edge